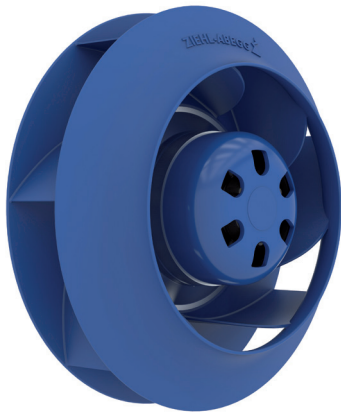


ZAvblue-ECblue

for single phase alternating current, 200-240 V

RH19V



Description

Motor technology: EC

Rated voltage U_{sys} : 1~200-240 V*

Rated frequency f_N : 50/60 Hz*

Motor input power P_{sys} : 170 W*

Rated current I_{sys} : 1.50-1.25 A*

Rated speed n : 4240 min⁻¹*

Thermal class: THCL155*

Min. permitted conveyor temperature t_R : -30 °C

Max. permitted conveyor temperature t_R at n_{max} : 60 °C

Electrical connection: Integrated controller with attached cable

Number of blades : 7

Balancing quality: G 6.3

Protection class: IP54

Motor protection: Integrated active temperature management
Impeller : High Performance Composite Material, uncoated, ultramarine blue

Conformity: ErP 2015, CE

ErP-data

Efficiency η_{statA} : 53.8 %

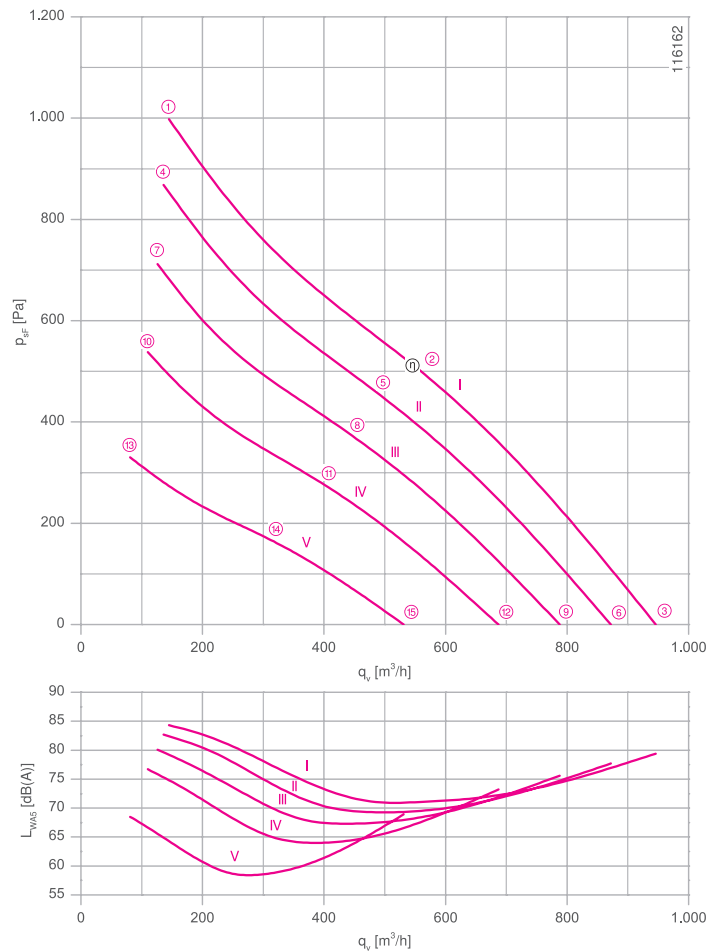
Efficiency: $N_{actual} = 72.4 / N_{target} = 62^{**}$

EC controller integrated

*Rated data

**ErP 2015

Characteristic curve

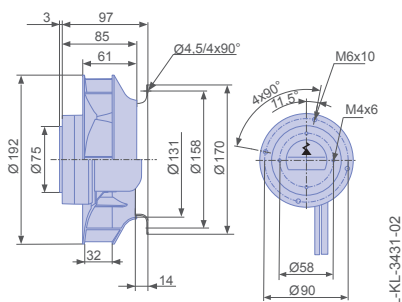


Measured with inlet ring, without guard grille in installation typet A according to ISO 5801

- Inlet ring 00407897
- Connection diagram 1360-404
- System components

Dimensions mm

Free-running motor impeller RH
in installation position H/Vu/Vo



Performance data

Type	Characteristic curve	Speed	Operating point	Current	Motor input power	Suction side sound power level
		n min ⁻¹		I A	P _{sys} W	L _{WAS} dB(A)
RH19V-4IP.Z8.AR	I	4700	①	1.30	170	84
		4000	②	1.30	170	71
		4260	③	1.30	170	79
	II	4380	④	1.05	140	83
		3730	⑤	1.00	140	69
		3910	⑥	1.05	140	78
	III	4000	⑦	0.76	100	80
		3380	⑧	0.76	100	67
		3550	⑨	0.76	100	76
	IV	3460	⑩	0.50	70	77
		2960	⑪	0.50	70	64
		3090	⑫	0.50	70	73
	V	2720	⑬	0.25	34	69
		2300	⑭	0.25	34	59
		2410	⑮	0.25	34	69

Current values determined at 230V

Fan ordering information

Design RH*

Installation position H/Vu/Vo



Type RH19V-4IP.Z8.AR

Basic electronics

Article no. 115613

Weight kg 1.40

* inlet ring not included

Control technology

Control modules

